



**HYUNDAI**  
Commercial Vehicles

# EX8



# CAB CHASSIS

## KEY FEATURES

---

- Driver's Suspension Seat
- Smart Key Entry with Security System
- Four Wheel Disc Brakes
- Vehicle Dynamic Control (VDC)
- High Power Assist Brake (HAB)
- Hill Start Assist Control (HAC)

## KEY SPECIFICATIONS

---

|                   |                           |            |          |
|-------------------|---------------------------|------------|----------|
| <b>GVM</b>        | 7,800kg                   | <b>GCM</b> | 11,300kg |
| <b>Wheelbase</b>  | 4,050mm / 4,400mm         |            |          |
| <b>Engine</b>     | 3.9L, Diesel Turbo Euro 5 |            |          |
| <b>Max Power</b>  | 127KW (170HP) / 2,500RPM  |            |          |
| <b>Max Torque</b> | 608NM / 1,400 RPM         |            |          |

***"READY BUILT, READY TO WORK"***

# ENGINE & DRIVELINE

## ● ENGINE EURO 5 COMPLIANT

|                         |                                        |
|-------------------------|----------------------------------------|
| Engine                  | 4 Cylinder 16 valve SOHC               |
| Displacement            | 3,933cc                                |
| Max Power               | 127KW (170HP) @ 2,500 RPM              |
| Max Torque              | 608NM / 1,400RPM                       |
| Turbocharger            | Intercooler Turbo Charger              |
| Compression Ratio       | 17.0 : 1                               |
| Bore x Stroke           | 103mm x 118mm                          |
| Injection System        | Denso Common Rail System               |
| Emission Control System | Cooled EGR Particulate Matter Catalyst |

## ● PERFORMANCE

|                            |                       |
|----------------------------|-----------------------|
| PERFORMANCE (Calculated)   | <b>SUPER CAB LONG</b> |
| Speed at Max. Engine Speed | 136KPH                |
| Grade Ability at Rated GVM | 45.3%                 |
| Grade Ability at Rated GCM | 30.6%                 |
| Min Turning Cycle (m)      | 5.3 / 7.5 / 8.2       |

## ● TRANSMISSION (T60S6)

|             |                                                                                                                                                                 |
|-------------|-----------------------------------------------------------------------------------------------------------------------------------------------------------------|
| Type        | 5 speed manual Synchronesh on gear 1~5                                                                                                                          |
| Gear Ratio  | 1 <sup>st</sup> 6.701<br>2 <sup>nd</sup> 3.712<br>3 <sup>rd</sup> 2.084<br>4 <sup>th</sup> 1.351<br>5 <sup>th</sup> 1.000<br>6 <sup>th</sup> 0.732<br>Rev 5.983 |
| PTO Opening | PTO provision on LHS of transmission case                                                                                                                       |

## ● AXLES

|                   |           |                       |
|-------------------|-----------|-----------------------|
| Front             | Type      | Reverse Elliot I-Beam |
|                   | Capacity  | 3,100 kg              |
| Rear              | Type      | Full Floating Type    |
|                   | Capacity  | 4,700kg               |
| Final Drive Ratio | 4.625 : 1 |                       |

## ● SAFETY FEATURES

|                                 |                                             |
|---------------------------------|---------------------------------------------|
| - High Power Assist Brake (HAB) | - Electronic Stability Control (ESC)        |
| - Easy Hill Start (EHS)         | - Anti-lock Braking System (ABS)            |
| - Engine Drag Control (EDC)     | - Traction Control System (TCS)             |
| - Daytime Running Lamps         | - Electronic Brake Force Distribution (EBS) |

## ● BRAKES

|                                                      |                                                          |        |
|------------------------------------------------------|----------------------------------------------------------|--------|
| Drum Diameter                                        | Front                                                    | 320 mm |
|                                                      | Rear                                                     | 320 mm |
| - ABS with electronic brake force distribution (EBD) |                                                          |        |
| Service Brake                                        | Hydraulic with vacuum servo assistance dual circuit      |        |
| Exhaust Brake                                        | Vacuum operated, butterfly valve type                    |        |
| Parking Brake                                        | 190mm diameter drum park mounted on rear of transmission |        |

## ● ELECTRICAL

|                  |                                                         |
|------------------|---------------------------------------------------------|
| Type             | 24V electrical system                                   |
| Batteries        | 2 x MF90AH maintenance free batteries connected in line |
| Alternator       | 24V, 55Amp                                              |
| Starter Capacity | 5.0KW Starter Motor                                     |
| 12V Power Outlet | 12V maximum, 36W                                        |

## ● CLUTCH

|               |                                                                     |
|---------------|---------------------------------------------------------------------|
| Type          | Hydraulic control, diaphragm spring single dry plate and pre-damper |
| Disc Diameter | ø 362 mm                                                            |

## ● PROPELLER SHAFT (DS300)

|      |                                                   |
|------|---------------------------------------------------|
| TYPE | Tubular, forged steel ends without centre bearing |
|------|---------------------------------------------------|

## ● WHEELS AND TYRES

|                  |                                                 |
|------------------|-------------------------------------------------|
| Wheels Type      | Single Front, dual rear<br>17.5 x 6, 6 Stud     |
| Tyre Size        | 205/75R 17.5 Front x 2<br>205/75R 17.5 Rear x 4 |
| Tyre Rating      | Steer 1,450kg x 2<br>Drive 1,400kg x 4          |
| Spare Wheel Tyre | 1 Mounted                                       |

# CAB & CHASSIS EQUIPMENT

## ● CAB INTERIOR

|                         |                                                                                    |
|-------------------------|------------------------------------------------------------------------------------|
| <b>Driver's Seat</b>    | Ergonomic adjustable suspension seat                                               |
| <b>Passenger Seats</b>  | Two seat capacity, independently adjustable seats with a storage console           |
| <b>Seat Headrest</b>    | Height adjustable headrest 's                                                      |
| <b>Steering Wheel</b>   | Tilt & telescopic adjustable steering wheel column, audio controls with hands free |
| <b>Cruise Control</b>   | Auto integrated - Steering Wheel Mounted                                           |
| <b>Interior Finish</b>  | Fully cloth, padded roof lining and all weather PVC flooring covering              |
| <b>Air Conditioning</b> | Fully integrated with heater and defrost modes, 4 speed fan                        |
| <b>Audio</b>            | System supports Bluetooth, USB, CD player, Radio, MP3 and AUX                      |
| <b>Windows</b>          | Electric operated                                                                  |
| <b>Power outlets</b>    | 1 x 12v, 1 x 24V                                                                   |
| <b>Keyless Entry</b>    | With control door locking and Anti-theft Smart Key                                 |
| <b>Interior Lamps</b>   | 2 x 10Watt & 1 x 30Watt                                                            |
| <b>SIWS</b>             | Service Indicator Warning System                                                   |
| <b>Sun Visors</b>       | Driver's and passenger's                                                           |
| <b>Grips</b>            | Door and side pillar entry assist grips                                            |

## ● CAB EXTERIOR

|                          |                                             |
|--------------------------|---------------------------------------------|
| <b>Cab Mounting</b>      | Semi-floating                               |
| <b>Windshield</b>        | One piece laminated                         |
| <b>Windscreen Wipers</b> | Dual electric 3 speed with washer           |
| <b>Side Glass</b>        | With inbuilt UV ray protection              |
| <b>Side Mirrors</b>      | Heated main vision mirrors                  |
| <b>Headlights</b>        | Vertical styled with turn signals           |
| <b>Fog Lamps</b>         | Projection type with daytime running lights |
| <b>Reverse Alarm</b>     | Standard feature                            |

## ● CHASSIS FRAME

|                  |                                                                                           |
|------------------|-------------------------------------------------------------------------------------------|
| <b>Type</b>      | H frame with channel sectional side rail & Cross Members                                  |
| <b>Side Rail</b> | Reinforced with outer stiffeners. Main section side rail dimensions: 183mm x 60mm x 6.0mm |

## ● SUSPENSION

|              |                           |                                      |
|--------------|---------------------------|--------------------------------------|
| <b>Front</b> | <b>Type</b>               | Semi-elliptic laminated leaf springs |
|              | <b>Size x Leaves</b>      | 1200 x 70 x 11t-2, 11t-1             |
|              | <b>Shock Absorber</b>     | Gas filled telescopic type           |
| <b>Rear</b>  | <b>Type</b>               | Semi-elliptic laminated leaf springs |
|              | <b>Size x Leaves</b>      | 1250 x 70 x 10t-5, 11t-1             |
|              | <b>Rear Spring Helper</b> | 990 x 70 x 15t-3                     |

## ● STEERING

|                      |                                                           |       |
|----------------------|-----------------------------------------------------------|-------|
| <b>Type</b>          | 4 spoke ball and nut type with telescopic steering column |       |
| <b>Maximum Angle</b> | <b>Inside Wheel</b>                                       | 44.5° |
|                      | <b>Outside Wheel</b>                                      | 32.0° |

## ● FUEL TANK

|                 |                                              |
|-----------------|----------------------------------------------|
| <b>Type</b>     | Frame mounted steel with a lockable fuel cap |
| <b>Capacity</b> | 100L                                         |

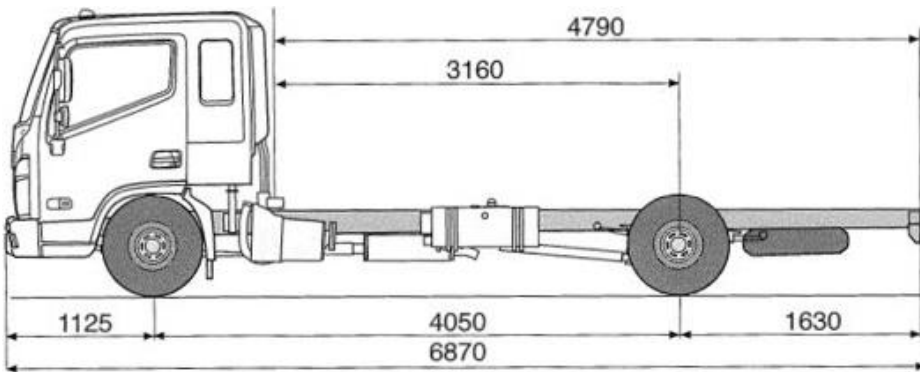
# DIMENSIONS & WEIGHTS

## ● DIMENSIONS (MM)

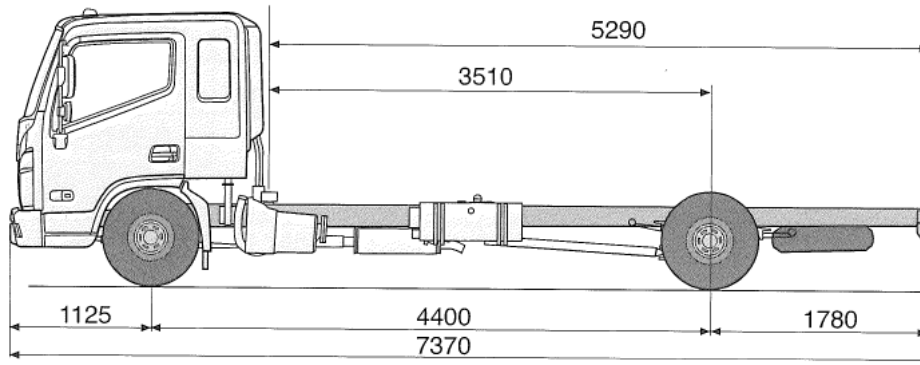
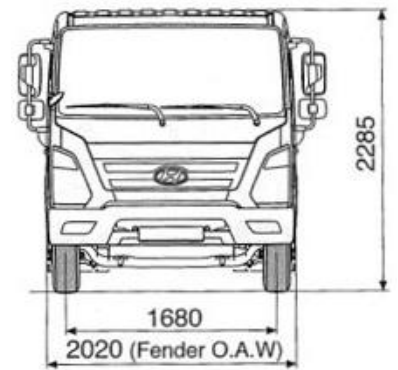
| DIMENSIONS (MM)     | LWB   | ELWB  |
|---------------------|-------|-------|
| Wheelbase           | 4,050 | 4,400 |
| Overall Length      | 6,870 | 7,370 |
| Overall Width       | 2,028 | 2,028 |
| Overall Height      | 2,285 | 2,290 |
| Front Overhang      | 1,125 | 1,125 |
| Rear Overhang       | 1,630 | 1,780 |
| Front Track         | 1,680 | 1,680 |
| Outside Rear Track  | 1,650 | 1,650 |
| Rear Frame Width    | 860   | 860   |
| Cab to Axle         | 3,160 | 3,510 |
| Cab to End of Frame | 4,790 | 5,290 |

## ● WEIGHTS (KG)

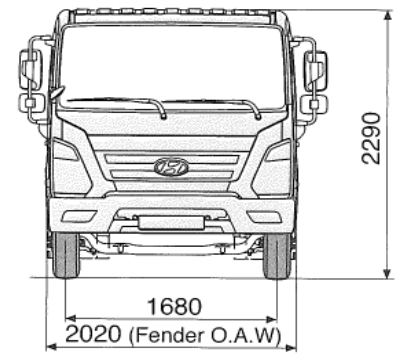
| WEIGHTS (KG)           | LWB    | ELWB   |
|------------------------|--------|--------|
| Gross Vehicle Mass     | 7,800  | 7,800  |
| Gross Combination Mass | 11,300 | 11,300 |
| Front Loading Limit    | 3,100  | 3,100  |
| Rear Loading Limit     | 4,700  | 4,700  |
| Total CAB Chassis Mass | 2,810  | 2,835  |
| Front CAB Chassis Mass | 1,875  | 1,925  |
| Rear CAB Chassis Mass  | 935    | 910    |



<Long Wheel Base>



<Extra Long Wheel Base>



## 24/7 ROADSIDE ASSISTANCE

You're never alone on the road in a Hyundai EX series truck. When you're covered by Hyundai's 24/7 nationwide truck roadside assist, you'll never find yourself stranded

24/7 TRUCK  
ROADSIDE  
ASSISTANCE

## BEST IN CLASS WARRANTY

Wherever you and your load go in a Hyundai EX Series truck, the roads are paved with the peace-of-mind Australia's best-in-class 3-year 200,000km warranty.

BEST IN CLASS  
3YEAR  
200,000km  
WARRANTY

Hyundai Commercial Vehicles Australia (HCVA) 376 Edgar Street, Bankstown NSW 2200

Hyundai Commercial Vehicles Australia (HCVA) reserves the right to alter vehicle specifications and equipment levels without notice. Some equipment featured on the vehicle in this brochure may not be available in Australia or may be optional to the extent permitted by the law. HCVA shall not be liable to any person as a result of reliance on the content of this brochure.

Please consult your Hyundai Commercial Vehicle Dealer for the latest specifications, equipment levels, options, prices, colours and vehicle availability. Metallic Paint is an optional extra. Note: Information in this brochure is current as at 06/03/2018